

DEVANTI®

Dehumidifier

Instruction manual

Model No.: DH-002-BK-WH

Model No.: DH-002-BK



WARNING

THIS PRODUCT CONTAINS A BUTTON BATTERY

If swallowed, a lithium button battery can cause severe or fatal injuries within 2 hours.

Keep batteries out of reach of children.

If you think batteries may have been swallowed or placed inside any part of the body, seek immediate medical attention.

PLEASE KEEP THESE INSTRUCTION FOR FUTURE REFERENCE

SAFETY INSTRUCTIONS:

- Check the voltage indicated on the rating plate. This tool is designed for 220V-240V electric supply.
- Place the appliance on a flat surface and make sure the dehumidifier is not positioned in direct sunlight.
- Do not place any object close to the unit (recommended 4" clearance from sides and back).
- Do not install this appliance in damp or wet location as this will cause condensation to collect on the outside of the dehumidifier and may cause damage to the insulation.
- When disconnecting the plug from the outlet, firmly hold and pull the plug itself.
- Do not place your fingers or any object into the back of the appliance.
- Do not use the appliance if the cord or plug is damaged.
- Check the power cord of this appliance regularly. A damaged cord must be replaced by the manufacturer, an after-sales service or a qualified professional in order to avoid injury and damage to property.
- This appliance is for indoor household use only. Do not use this appliance outdoors.
- Do not tightly wind or bundle the power cord. It might overheat.
- Do not use flammable sprays such as lacquer and paint near the appliance. It might cause the appliance to ignite.
- Highly volatile and flammable materials such as ether, petrol, propane gas, adhesive agents and pure alcohol, etc. are liable to explode. Do not store these inside this appliance.
- Do not immerse the unit, power cord and plug into water.
- Unplug the appliance before cleaning or after each use.
- Do not splash water directly on the outer cabinet or the interior. This may lead to rusting and deterioration of the electrical insulation.
- Do not use sharp objects such as knives, screwdrivers, scissors, etc. to scrape or clean the unit.
- Medications (drugs), chemicals, research and experimental substances should not be stored in this appliance.
- Do not place heavy or fragile objects on top of the appliance.
- Use this appliance only as it is described in this manual.
- This appliance can be used by children aged from 8 years and above and persons with reduced physical, sensory or mental capabilities or lack of experience and knowledge if they have been given supervision or instruction concerning use of the appliance in a safe way and understand the hazards involved.
- Children shall not play with the appliance. Cleaning and user maintenance shall not be made by children without supervision.

FEATURES

The dehumidifier uses Peltier technology (no compressor), which makes it light and quiet. It is perfect for small rooms. Poor ventilation causes musty odour and fungus in wardrobes, larder, cabinet or storage room...etc. The dehumidifier eliminates this problem by keeping them free of unwanted moisture.

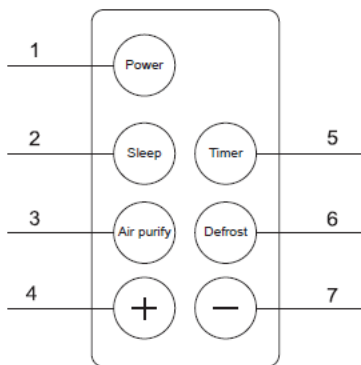
- ◆ To avoid electric shock, Do not open. There are no user serviceable parts inside.
- ◆ Specifications are subject to change for improvement without prior notice.

HOW TO USING YOUR DEHUMIDIFIER

1. To start to use your dehumidifier, first, put the dehumidifier on the flat place, connect the AC input plug to the appropriate main socket.
 2. Switch the ON/OFF button (at the back of the dehumidifier) to "ON" position, the dehumidifier will begin to operate. The display will show the "Temperature" "Humidity" circularly. The side UV lamp will turn on. The dehumidifier start the air purify function „Listen and feel“ for the air blowing from two sides dry air outlet. Switch the ON/OFF button to "OFF" position, the dehumidifier will be turned off.
- The dehumidifier's water tank should be empty before using the dehumidifier. Or the "red" tank full led will be turned on, and the dehumidifier can not work.

HOW TO USING THE REMOTE CONTROL

Warning: Before using the remote control, the dehumidifier's "ON/OFF" button (at the back of the dehumidifier) must be with "ON" position, otherwise the remote control can not be used.



1. Press the "Power" button, the dehumidifier will be turned on or turned off.
2. Press the "Sleep" button, the dehumidifier's display and the side UV lamp will be turned off.
3. Press the "Air purify" button, the dehumidifier's air purify function (side UV lamp) will be turned on or turned off.
4. Press the "Timer" button, then press "+" or "-", the user can set the time from 1 hour to 24 hours, when time over, the dehumidifier will stop working automatically.
5. The display window will showing "temperature" "humidity" "Timer (if set)" circularly.
6. When the environment temperature is lower than 15 °C, please press the "defrost" button randomly, it will help the dehumidifier working better. Or the dehumidifier will hard to absorb the humidity and it will hard to collect the humidity to the water tank.
7. Press the "+" or "-" button directly (don't press "timer" button), the user can set the humidity level from 40% to 70% for dehumidifier, when the environment reach the relative humidity, the dehumidifier will stop work automatically.

DISPLAY NOTE

When the dehumidifier start working, the temperature and humidity will be showed on display, it is the environment temperature and humidity. When the dehumidifier working for a long time, the dehumidifier will absorb the humidity near the dehumidifier first, and the dehumidifier's vent will exhaust the hot air, so the temperature and humidity on the display will be different with other place or other temperature/humidity equipment, this is normal, it doesn't mean there is a faulty.

The dehumidifier have auto-stop function. When the water tank is full, the dehumidifier will auto-stop, and the Red Led on the front of dehumidifier will turn on.

CONTINUOUS DRAINING WITH THE WATER PIPE

Turn off the dehumidifier, take out the water tank, you will see there is a water outlet hole, insert water pipe to the drain hole, and put the water tank back into the dehumidifier. Put another head of water pipe into washbasin, bucket, etc, turn on the dehumidifier again. The dehumidifier will collect the water and water will through the pipe to washbasin, etc.

REMOVABLE WATER TANK

When the water tank is full, with approximately water collected, the unit will automatically switched off and the red color "Water tank full" LED will come on.

To remove the water tank, first , turn off the dehumidifier, then, remove the water tank from the unit and pour the water out to the toilet or bathroom. Put the water tank back into the unit. To continue dehumidifying, touch the "ON/OFF" position again.

CLEANING THE DEHUMIDIFIER

Before cleaning the unit, turn off the dehumidifier and unplug the plug from the main socket first. Use a soft cloth to clean the surface of the unit and a soft bristled brush to remove dust from the air inlet and outlet grills.

CAUTIONS

1. After having finished using the dehumidifier, the user should switch the unit off.
2. Avoid using the wire in wet or damp place, and position it in areas where the air ventilation is good.
3. Keep the side grill and the back grill clear at all times and do not cover with clothing or poly bags etc.
4. Always keep the unit at an up-right position to avoid water leakage.

TECHNICAL SPECIFICATIONS

Model Number	DH-002-BK-WH/DH-002-BK
Power Supply	AC 220-240V~50Hz, 65W(Max.)
Dimension	(L)245mm X (W)137mm X (H) 375mm
Cooling Element	Thermo-electric Peltier module
Fan	120mm X 120mm DC Brushless motor
Best Working Environment	25°C, over 85% Relative Humidity.