

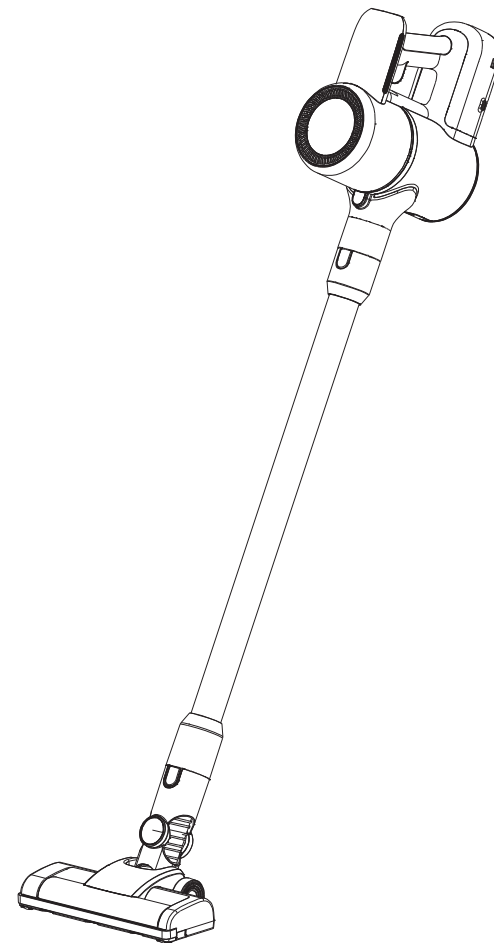
DEVANTI®

# DEVANTI®

## Instruction Manual

High performance cordless  
handheld Vacuum Cleaner

**Model:**  
VAC-CL-H-SC2-RD  
VAC-CL-H-SC2-PP



Thank you for purchasing our product.  
Please read this instruction manual carefully  
before use and keep it in a safe place.

## **Important Safety Instructions**

---

**WARNING:** Basic safety precautions should always be observed when using an electrical appliance, including the following to reduce the risk of fire, electrical shock, or injury.

### **Personal Safety**

---

1. Store it indoors in a dry place out of the reach of children;
2. Always use responsibly. This appliance can be used by children aged from 10 years and above and persons with reduced physical, sensory or mental capabilities or lack of experience and knowledge if they have been given supervision or instruction concerning use of the appliance in a safe way and understand the hazards involved;
3. Don't let children play with the appliance; supervise children using or maintaining the appliance;
4. Use only manufacturer's recommended attachments as described in this manual; misuse or use of any accessory or attachment other than those recommended, may present a risk of personal injury;
5. Take extra care when cleaning stairs;
6. Keep the appliance and accessories away from hot surface;
7. Do not block the appliances openings or hinder air flow, keep openings free of any objects including dust, lint, clothing, fingers (and all parts of the body);
8. Particularly keep hair away from openings and moving parts;

### **Electrical Safety**

---

1. Only use batteries and charger supplied by the manufacturer;
2. Never modify the charger in any way;
3. The charger has been designed for a specific voltage. Always check the voltage is the same as that stated on the rating plate;
4. A charger that is suitable for one type of battery pack may create a risk of fire when used with another battery pack;
5. Before using, check the charger cord for signs of damage or ageing. A damaged or entangled charger cord increases the risk of fire and electric shock;
6. Do not abuse the charger cord;
7. Never carry the charger by the cord;
8. Do not pull the cord to disconnect it from a socket, grasp the plug and pull to disconnect it;
9. Don't wrap the cord around the charger when storing;
10. Keep the charger cord away from hot surfaces and sharp edges;

## **Electrical Safety**

---

11. The supply cord cannot be replaced. If the cord is damaged the charger should be discarded and replaced;
12. Do not handle the charger or the appliance with wet hand;
13. Do not store or charge the appliance at outdoor;
14. The charger must be removed from the socket before removing the battery, cleaning or maintaining the appliance.

## **Battery Safety**

---

1. This appliance includes Li-ion batteries, do not incinerate batteries or expose to high temperatures, as they may explode;
2. Liquid ejected from the battery may cause Irritation or burns;
3. In an emergency situation contact professional help immediately;
4. Leaks from the battery cells can occur under extreme conditions. Do not touch any liquid that leaks from the battery. If the liquid that gets on skin, wash immediately with soap and water. If the liquid gets into the eyes, flush them immediately with clean water for a minimum of 10 minutes and seek medical attention. Wear gloves to handle the battery and dispose of immediately in accordance with local regulations;
5. Shorting the battery terminals may cause burns or fire;
6. When the battery pack is not in use, keep it away from paper clips, coins, keys, nails, screws or other small metal objects that could make a connection from one terminal to another;
7. When you dispose of the appliance remove the battery and dispose of the battery safely in accordance with local regulations.

## **Service**

---

1. Before using the appliance and after any impact, check for signs of wear of damage and repair as necessary;
2. Do not use the appliance if any part is damaged or defective;
3. Repairs should be carried out by service center. Repairs by unqualified persons could be dangerous;
4. Never modify the appliance in any way as this may increase the risk of personal injury;
5. Only use replacement parts or accessories provided by manufacturer.

## **Intended Use**

---

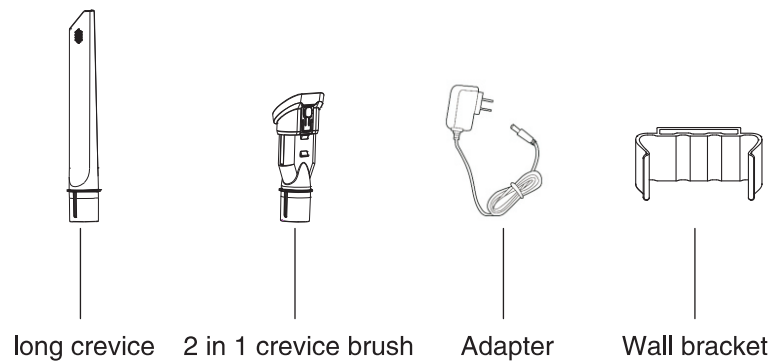
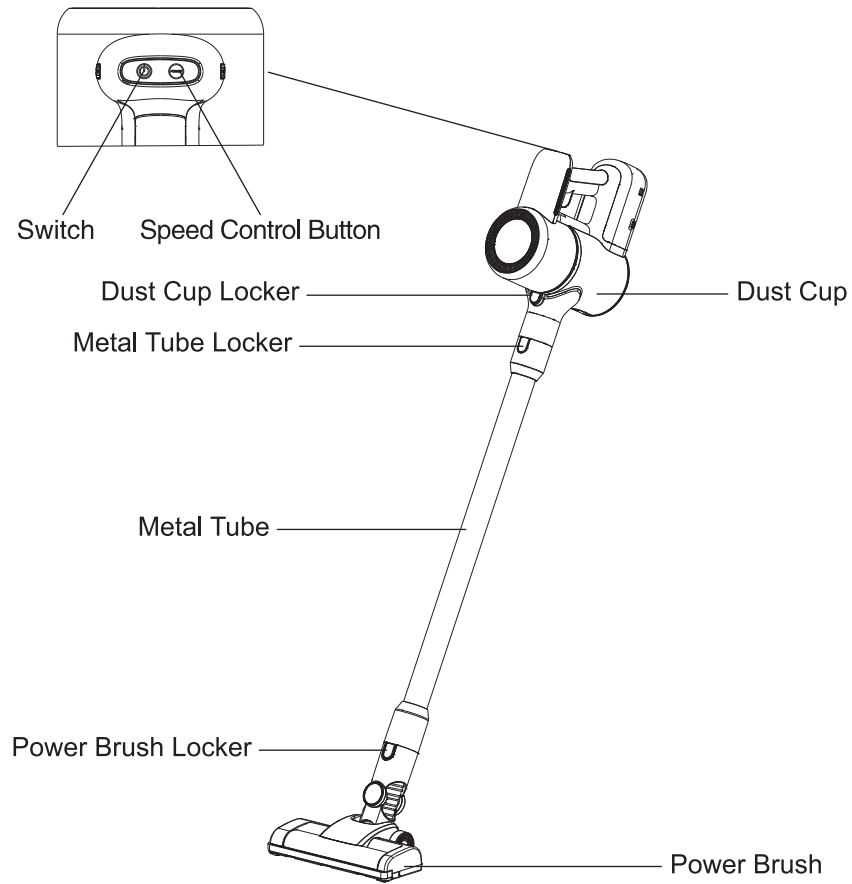
1. This appliance has been designed for domestic dry vacuum cleaning only;
2. Do not pick up liquids or use on wet surfaces;
3. Do not pick up anything that is flammable, burning or smoking;
4. Use only as described in this manual;
5. Don't use on concrete, tarmacadam or other rough surfaces.

## **Warning**

---

1. Do not use water, solvents, or polishes to clean the outside of the appliance; wipe clean with a dry cloth;
2. Never immerse the unit in water and do not clean in a dishwasher.

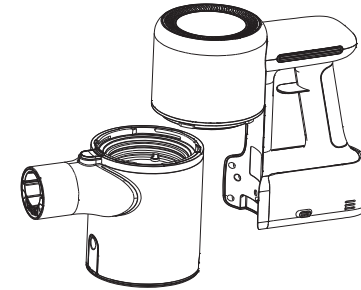
## Introduction Of Components



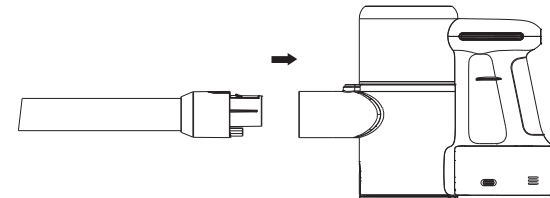
## Product Installment

### I. Use as the stick vacuum cleaner

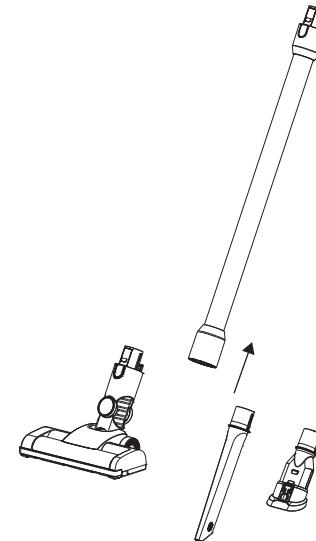
a) Assemble the handle into the dust cup, make sure the battery bolt head is inserted into the dust cup slot rightly as below.



b) Attach the metal tube to the body as below until hear click sound.



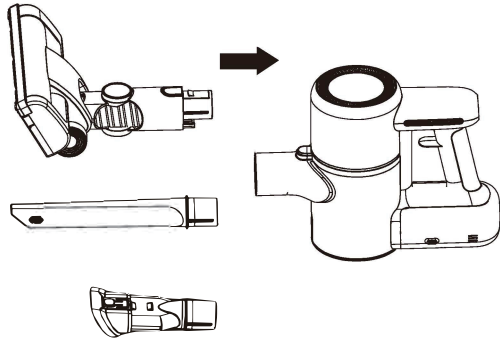
c) Attach the brush to another head of the tube as shown.



## Introduction Of Components

### II. Use as a hand vacuum cleaner

a) Attach the brush to the body as below until hear click sound.



### III. Press the switch to work

Two level speed control

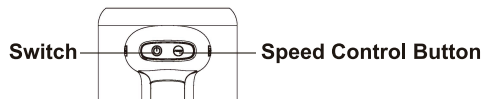
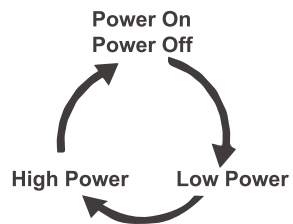
a) Low Power

It's low power when you press the switch button first time.

b) High Power

It's high power when you press the speed control button, press again, it will back to low power.

c) It will be power off when press the switch button second time, it's kind of circle as below shown.

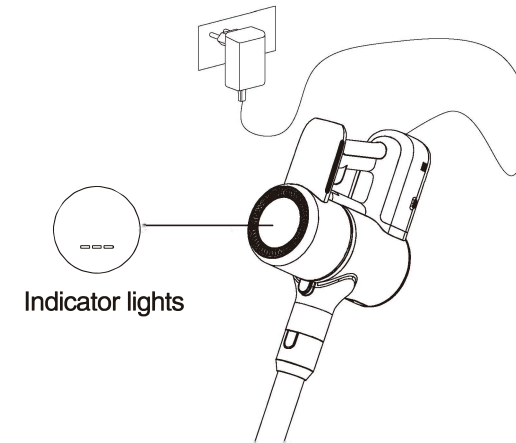


**Storage method:**  
Tear the 3M isolation paper on the back of the wall bracket and stick it about 1020mm from the ground.

## Product Operation

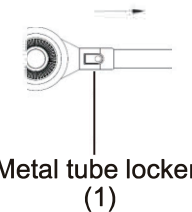
### V. Battery charging

1. When the last indicator light on screen is flashing, it indicates that the power is insufficient and needs to be charged. Connect the charger to the power supply and the charging port. It is in charging while lights keeping flashing.

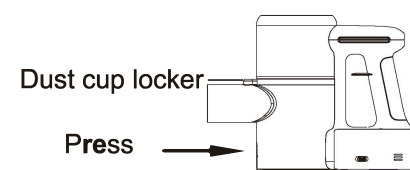


2. The battery is full while indicator lights are always on.

### VI. How to empty the dust cup

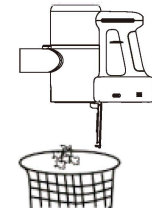


Press the metal tube locker then take out the metal tube



(2)

Unlock the dust cup locker



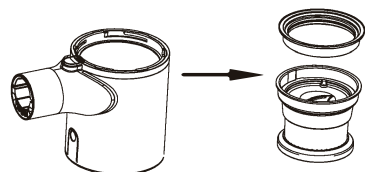
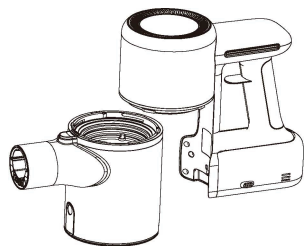
(3)

Empty the dust cup

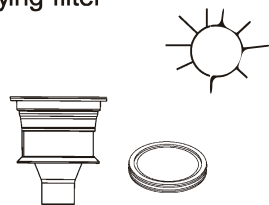
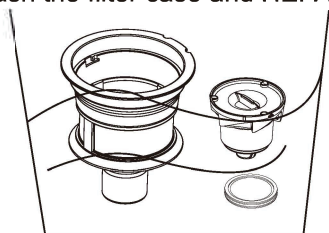
## Product Operation

### VII. How to maintain the filter

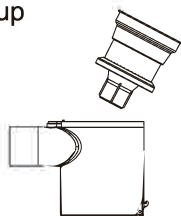
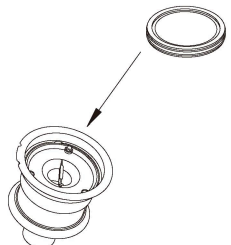
1. Press the release button to remove the handle part from dust cup
2. Take out the filter case, then take out the filter



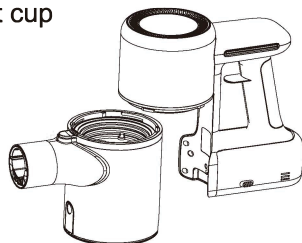
3. Wash the filter case and HEPA filter
4. Drying filter



5. Assemble the filter to the case
6. Put the filter case back to the dust cup



7. Assemble the handle into the dust cup



## Troubleshooting

Suction gets weak	<ol style="list-style-type: none"> <li>1. Empty the dust cup</li> <li>2. Clean the HEPA filter</li> <li>3. Check if the dust cup is installed correctly</li> </ol>
Stop Working	<ol style="list-style-type: none"> <li>1. Charge the battery</li> <li>2. Clean the brush</li> </ol>
Roller brush stops spinning & has strange noise	<ol style="list-style-type: none"> <li>1. Check if the brush (especially the bearing part) is stuck by hair</li> <li>2. Check if the filter cup is installed correctly in the right place</li> <li>3. Detach the tube, use the handheld part only. If not work, contact the service centre for help</li> </ol>
Battery doesn't hold a charge	<ol style="list-style-type: none"> <li>1. Check if the charger &amp; charging base is connected correctly</li> <li>2. If there is no light on when charging, contact the seller for help</li> </ol>

## Specification

Battery capacity	21.6V/2200mAh
Charging time	4.5H
Input voltage	100-240V~50/60Hz
Output voltage	26.5V 0.5A
Motor power	120W

\*For better cleaning performance, we highly suggest cleaning the roller brush regularly after every use.