

11. If the water cooler is not used for a long period at night, turn it off to save energy.
12. If the supply cord is damaged, it must be replaced by the manufacturer, its service agent or similarly qualified persons in order to avoid a hazard.
13. The water cooler must be installed in a location with easy access to the power socket.
14. Ensure that the water cooler is adequately ventilated at the back and that the back is not covered or obstructed.
15. Do not damage the refrigerant circuit.
16. The water cooler should be used at an ambient temperature of between 10°C and 32°C.
17. The appliance is not to be used by persons (including children) with reduced physical, sensory or mental capabilities, or lack of experience and knowledge, unless they have been given supervision or instruction. Children being supervised not to play with the appliance.
18. Do not store explosive or combustible substances such as aerosol cans with a flammable propellant in this appliance.
19. This water cooler is intended for use in household and similar applications such as:
 - staff kitchen areas in shops, offices and other working environments
 - farm houses and by customers in hotels, motels and other residential-type environments
 - bed and breakfast-type environments
 - catering and similar non-retail applications
20. Do not place other appliances inside the water cooler unless they are recommended by the manufacturer.

TROUBLESHOOTING

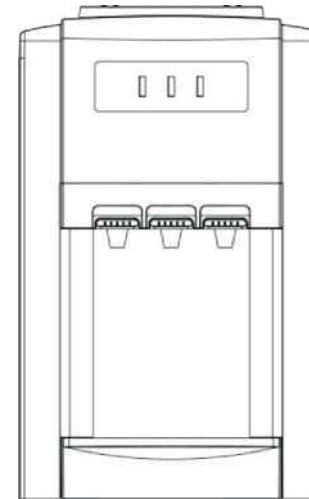
Before conducting any troubleshooting, please turn off the water cooler and disconnect it from the power source.

PROBLEM	POSSIBLE CAUSE	SOLUTION
Lights do no work	<ol style="list-style-type: none"> 1. Appliance is not connected to the electrical system. 2. The switch is not ON. 	<ol style="list-style-type: none"> 1. Ensure switch is ON and plug is connected. 2. Turn switch ON or turn the timer.
Leakage	<ol style="list-style-type: none"> 1. The water container is broken. 2. The water pipe is damaged 3. The faucet is faulty. 	<ol style="list-style-type: none"> 1. Replace water container. 2. Replace water pipe 3. Replace faucet.
Not heating up	<ol style="list-style-type: none"> 1. The heating switch is faulty or does not make contact. 2. The heating tank has burnt out. 3. Electrical connection is loose. 	<ol style="list-style-type: none"> 1. Replace switch and check connections. 2. Replacing heating tank. 3. Repair connections.
Not cooling down	<ol style="list-style-type: none"> 1. The heating switch is faulty or does not make contact. 2. Electrical connection is loose. 	<ol style="list-style-type: none"> 1. Replace switch and check connections. 2. Repair connections.

DESNTI

BENCH TOP WATER COOLER

MODEL: WD-1103-22L-WH



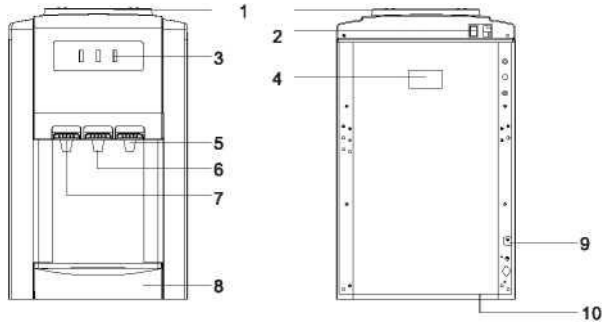
USER MANUAL

Please read the manual carefully before using the product.
Please retain this manual for future reference.

FEATURES

1. Modern and stylish design,
2. Energy-saving, low noise operation and stable structure. Suitable for use in homes, hotels, offices, schools and similar environments.
3. High quality plastic components that are made to last.
4. Double safety system with temperature control and heating protection. Hot water temperatures are always between 80°C and 95°C and hot enough for making beverages and instant noodles.
5. Durable water dispensing system.
6. Compatible for use with bottled water or a water purifier.

COMPONENTS



NO.	PART	NO.	PART
1	Bottle Seat	6	Normal Water Faucet
2	Power Switch	7	Hot Water Faucet
3	Indicator Lights	8	Drip Tray
4	Information Plate	9	Electric Power Cord
5	Cold Water Faucet	10	Drain Plug

NOTE: The illustration above is for reference only. Your actual device may differ.

OPERATIONS

1. Insert the bottled water vertically onto the seat and press the water faucets until water flows out of the red hot water faucet.
2. Plug in the power plug into the wall socket and turn the switch to ON to start the appliance.
DO NOT MOVE BOTH SWITCHES AT THE SAME TIME. Cooling and heating indicator lights will come on. The appliance is designed to provide hot or cold water whenever needed. It will automatically turn on and off when the water reaches the desired temperatures.

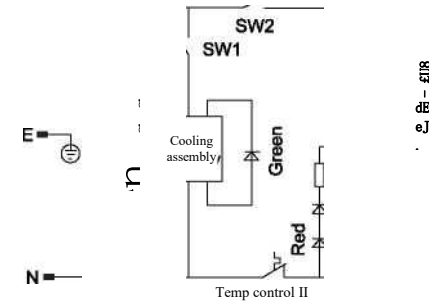
WARNING

1. When positioning the appliance, ensure the supply cord is not trapped or damaged.
2. Do not locate multiple portable socket outlets or portable power supplies at the rear of the appliance.
3. To avoid a hazard due to instability of the appliance, it must be fixed in accordance with the instructions.

SPECIFICATIONS

Model	WD-1103-22L-WH
Voltage - Frequency	220-240V - 50/60HZ
Heating power	500W
Cooling power	65W
Water heating capacity	5.0L/h
Water cooling capacity	1.0L/h
Electric shock prevention	Type I

SCHEMATICS



NOTE: If any technical data or the circuit diagram has been changed, this manual may not reflect those changes

ATTENTION

1. Make sure that there is hot water from the hot water faucet before plugging in and switching on the appliance to ON to heat. If the water cooler is turned ON with an empty water tank, it can be damaged.
2. When moving the water cooler, do not tilt more than 45° to avoid damage to compressor.
3. Always install the water cooler indoors, on a flat surface and at least 15cm from the back wall.
4. Keep the appliance away from high temperatures and placed in a dry and ventilated area. Never install the water cooler in open air, in rain or under direct sunlight.
5. Children should not be allowed to use the red hot water tap.
6. If the water cooler is not to be used for a long period, unplug it and drain all water inside it away.
7. Before first use or after a long period of non-use, the water tank and water pipes should be cleaned. If possible, they should also be disinfected. The first batch of heated water should be discarded. When draining the system, turn the heating switch to the OFF position.
8. Wash and disinfect the system every 3 to 6 months with a suitable cleaner and according to its instructions for use.
9. Do not pull on the power cable to unplug. Do not turn ON or OFF the appliance by connecting or disconnecting it from the power source.
10. Do not clean the inside of the water cooler with water to avoid electric hazards. Clean it with

